

MultiView™ **WSTx Transmitter**

**Clean & Efficient Installations
Utilizing Magenta’s
Wall-Mount Transmitter**



**MultiView WSTx Transmitter
#2211060**

One-gang, wall-mount transmitter offers video + audio distribution options while maintaining full MultiView Series compatibility

Magenta Research’s MultiView™ WSTx Cat5 UTP Transmitter is a MultiView transmitter reformulated to fit in a one-gang electrical box; perfect for conference rooms or other applications where a box-less solution is preferred. Fully compatible with MultiView receivers, distribution amplifiers and matrix switches, the WSTx can transmit any type of analog video—RGBHV, YUV, Y Pb Pr, HDTV, Y/C, composite, S-video, NTSC, PAL, SECAM, RGBS or RGsB, plus line level L/R summed audio. Non-RGBHV video sources can be inputted into the WSTx using breakout cables available from Magenta.

As with any MultiView transmitter, the “married” (not “up to”) resolution/distance specifications are based upon the accompanying MultiView receiver, which are offered in different distance tiers—500 feet/152 meters (1366x768), 600 feet/183 meters (1920x1200), 1,200 feet/366 meters (1920x1200) and 2000 feet/610 meters (1920x1200). Receiver distance ratings can be surpassed when using lower resolutions and non-RGBHV formats; especially composite video in which case an extra 500 ft. (152m) can be expected. Use with Cat5/5e or Magenta-recommended skew-free cabling. Some Cat6 may also be utilized, please contact Magenta for specific details.

Designed and manufactured to provide extremely long life cycles, the WSTx features full ESD protection on all circuits as well as a MTBF (Mean Time Before Failure) rating of 100,000 hours.

The WSTx includes a Decora®-style wall-plate to complete its finished, flush-mount appearance.

Companion Products:



MultiView 500A
Receiver 400R3540



MultiView K-500TD
Receiver 4003377



MultiView AK600DP-A
Receiver 400R3755



MultiView AK1200DP-A
Receiver 400R3681



MultiView XR-2000
Receiver 400R33584

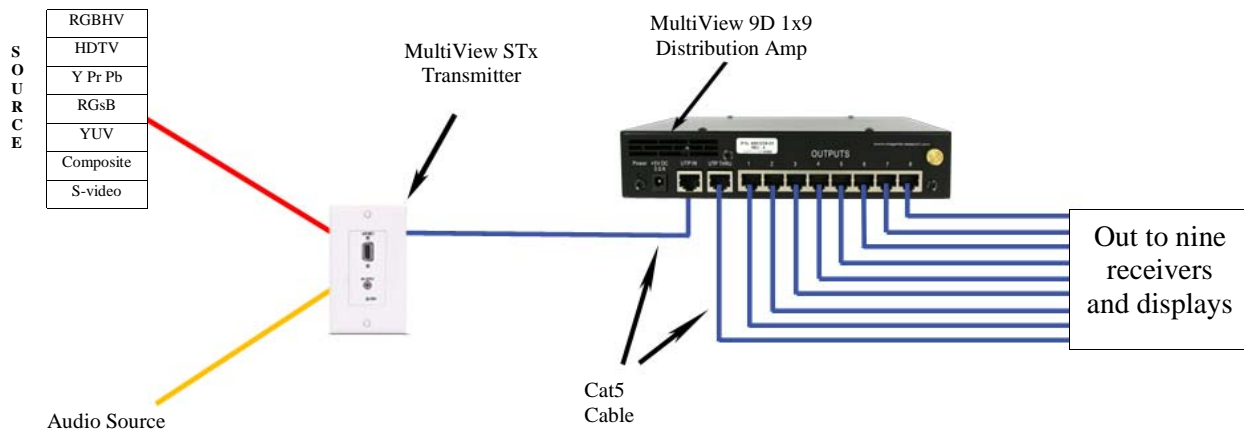
Benefits of MultiView™ WSTx:

- Supports video signals from composite to 1920x1200 resolution, including 1080p HDTV
- Compatible with all MultiView Series receivers, distribution amplifiers and full-matrix switchers
- Full analog video format agility; RGBHV, composite, component and S-video modes supported
- High reliability (100,000 hours MTBF)
- ESD protection on all circuits
- Mounts cleanly in one-gang electrical box
- Decora®-style wall plate included for finish effect
- Three year warranty

MultiView WSTx Front/Back Views



MultiView WSTx with 9D Distribution Amplifier Sample Application



Specifications

Cable Required: Category 5, 5e, 6 shielded or unshielded twisted pair

Power: +12 VDC @ 180 mA max (Power supply included)

Compliance: CE; FCC Class A, IC Class/class A

Consumption: 2.2 watts maximum

Video Support: RGBHV, RGB, Composite, S-Video, Component

Size: 2.6" H* x 1.3" W x 2.28" D (Decora® Style)
(6.6 cm H* x 3.3 cm W x 5.8 cm D)

Maximum Resolution: 1920x1200 (receiver dependent)

Fits in a 1-gang Decora® faceplate. * Height is 3.8" (9.7 cm) including mounting tabs. Dimensions do not include wall plate

Required Source Impedance: Video OUT: 75 ohms;
Audio OUT: 600 ohms maximum

Weight: 0.09 lb. (0.04 kg) **Warranty:** Three years

Required Destination Impedance: Video IN: 75 ohms;
Audio IN: 600 ohms minimum

Compatible Receivers:

- MV500A (#400R3540);
- K-500 TD (#4003377);
- K-500 TDC (#4003301);
- AK600DP-A (#400R3755);
- AK1200DP-A (#400R3681);
- XR-2000DP-A (#4003349)

Audio Characteristics: Channels: Right/Left summed;
Line Level 600 Ohm Unbalanced

Connectors: Front mount : (1) 3.5-mm, (1) HD15 F
Rear Mount: (1) RJ-45, (1) 2 pin phoenix power input

Compatible Distribution Amp: MultiView 9D 1x9 (#221R1029)

Temperature Tolerance: Operating: 32 to 104°F (0 to 40°C);
Storage: -4 to +140°F (-20 to +60°C)

Humidity Tolerance: Up to 80% noncondensing

Enclosure: Fits any standard US style wall box or low voltage J-Box

Compatible Matrix Switchers: Mondo Matrix full Matrix Cat5 switcher in configurations from 16x16 to 256x512 (#221R3001); MultiView Matrix 8x8 (#2211037); MultiView Matrix 16x16 (#2211038)

Magenta Research is the industry-recognized leader in the adaptive distribution and switching of video/audio/serial signals over Cat5 cable, and more recently, DVI over fiber and/or Cat6. Over ten years, Magenta has developed the highest-performance, most flexible video-over-Cat5 product line, the MultiView Series. The company utilizes patent-pending Repli-Sync™ and complex, state-variable signal EQ technologies to enable WUXGA video distribution at 2,000 feet (610m). MultiView Series transmitters, receivers, switchers and distributive systems have been installed in a large variety of A/V applications, especially dynamic signage for airport, retail, fast food, museum, casino, theatre, courtroom and corporate applications. Based in New Milford, CT, Magenta utilizes a network of international distributors, manufacturers representatives and resellers to market its enabling technology worldwide.